

---

---

**COX**

Research and Technology, Inc.

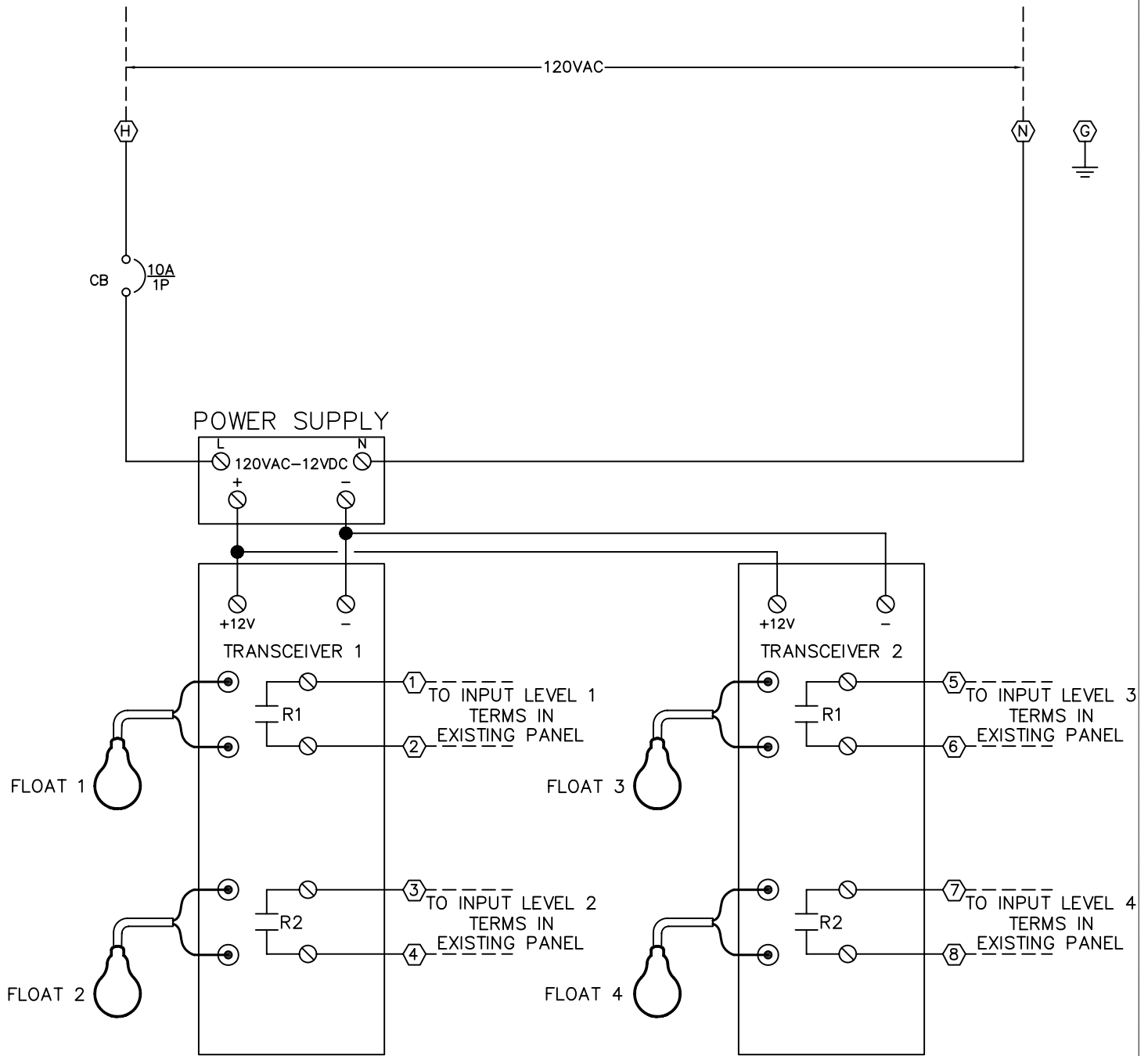
---

---

OPTI-OA4  
OPTI-FLOAT<sup>®</sup> LEVEL DETECTOR  
FOUR FLOAT OPEN ASSEMBLY CONTROL PANEL

Cox Research and Technology, Inc.  
14697 S. Harrells Ferry Road  
Baton Rouge, LA. 70816  
(225) 756-3271 Fax (225) 755-1030

OPTI-OA4



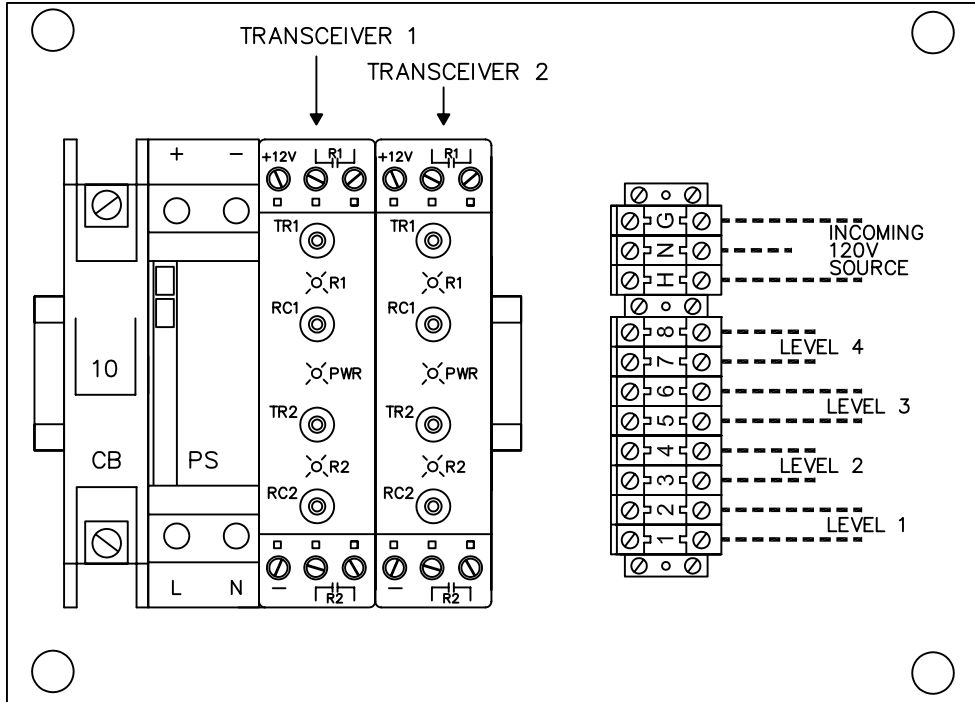
Drawing Title										
CONTROL DIAGRAM										
DATE	3/2/09	REFERENCE DRAWING	S/N	NO.	Sales Engineer	Application Engineer	REVISION-LOCATION	ECN	DATE	BY
		C.C.			C.C.	R.C.	BY M.SUTHERLAND		APPROVED	
Project Title								PURCHASE ORDER NUMBER		
OPTI-0A4								DRAWING NUMBER		
								OPTI-OA4		
								SHEET NUMBER		
								1		

**COX**

Research and Technology, Inc.

P.O. Box 77808  
Baton Rouge, LA  
70879

Ph. (225)756-3271  
Fax (225)755-1030



2 DUAL TRANSEIVERS (FOR 4 FLOATS) 6"W X 4.5"H X 4.1"D

RECOMMENDED CLEARANCE FOR CABLE ENTRY IN FRONT OF TRANSCEIVER IS 1" MINIMUM.  
SPECIAL OPEN ASSEMBLIES ARE AVAILABLE.

Drawing Title									
EXTERNAL WIRING CONNECTIONS		REFERENCE DRAWING		NO.		REVISION-LOCATION		ECN	
		S/N		Sales Engineer		Application Engineer		DRAWN	
DATE		C.C.		R.C.		BY M.SUTHERLAND		APPROVED	
3/2/09								DATE	
Project Title		<p style="text-align: center;"><b>COX</b></p> <p style="text-align: center;">Research and Technology, Inc.</p>		<p>P.O. Box 77808 Baton Rouge, LA 70879</p> <p>Ph. (225)756-3271 Fax (225)755-1030</p>		PURCHASE ORDER NUMBER			
OPTI-0A4						DRAWING NUMBER OPTI-OA4			
						SHEET NUMBER			
								2	

---

---

**COX**

Research and Technology, Inc.

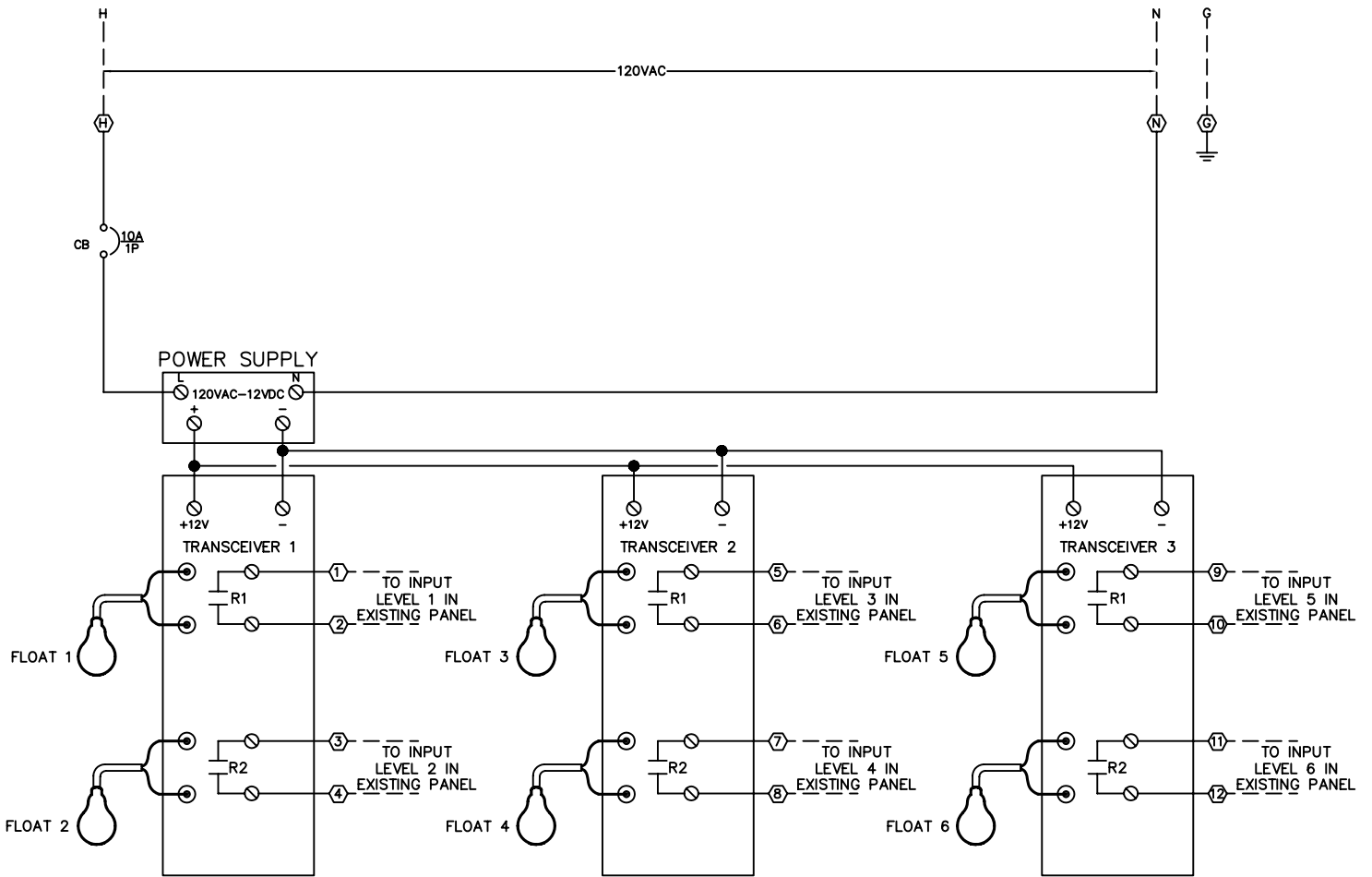
---

---

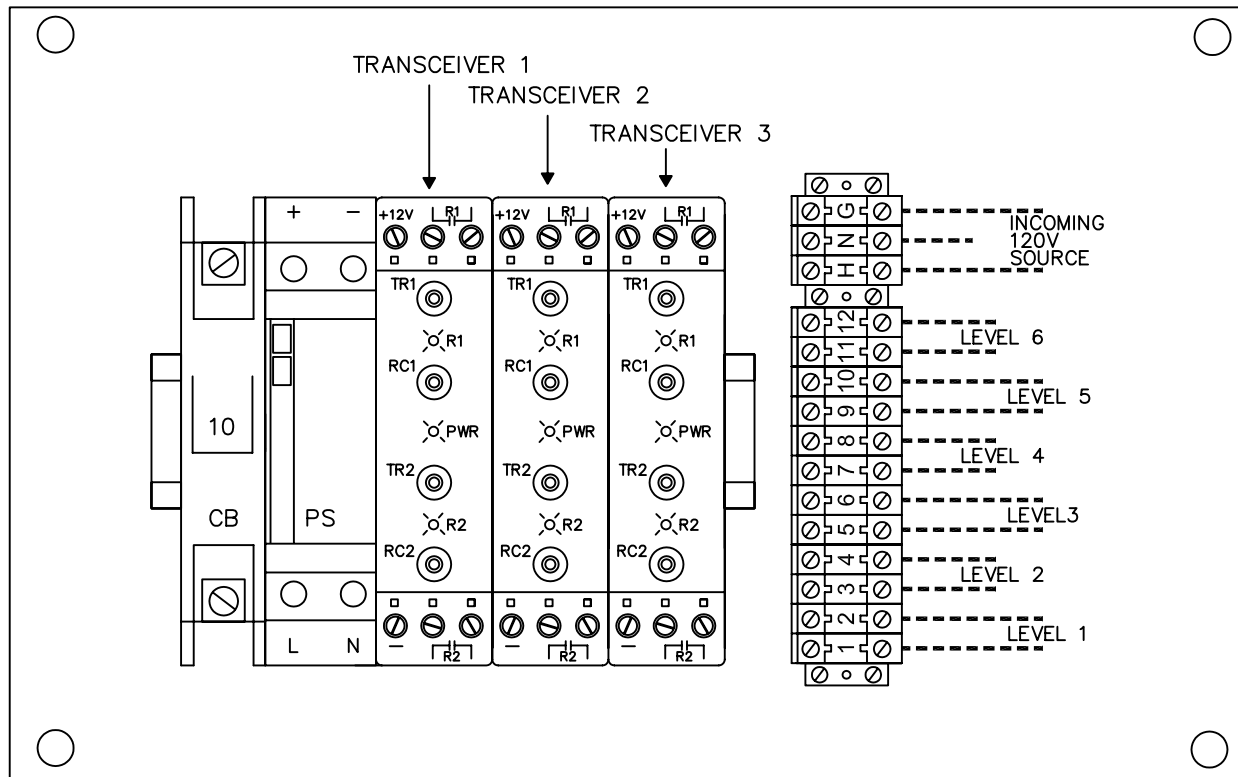
OPTI-OA6  
OPTI-FLOAT<sup>®</sup> LEVEL DETECTOR  
SIX FLOAT OPEN ASSEMBLY CONTROL PANEL

Cox Research and Technology, Inc.  
14697 S. Harrells Ferry Road  
Baton Rouge, LA. 70816  
(225) 756-3271 Fax (225) 755-1030

OPTI-OA6



Drawing Title									
CONTROL DIAGRAM									
DATE	3/4/09	REFERENCE DRAWING	NO.	REVISION-LOCATION	ECN	DATE	BY		
		S/N	Sales Engineer	Application Engineer	DRAWN		APPROVED		
			C.C.	R.C.	BY M.SUTHERLAND	BY	DATE		
Project Title		<b>COX</b> Research and Technology, Inc.			P.O. Box 77808 Baton Rouge, LA 70879		PURCHASE ORDER NUMBER		
OPTI-OA6					Ph. (225)756-3271		DRAWING NUMBER OPTI-OA6		
					Fax (225)755-1030		SHEET NUMBER		
								1	



3 DUAL TRANSCEIVERS (FOR 6 FLOATS) 7"W X 4.5"H X 4.1"D

RECOMMENDED CLEARANCE FOR CABLE ENTRY IN FRONT OF TRANSCEIVER IS 1" MINIMUM.  
SPECIAL OPEN ASSEMBLIES ARE AVAILABLE.

Drawing Title										
EXTERNAL WIRING CONNECTIONS		REFERENCE DRAWING		NO.		REVISION-LOCATION		ECN		
		S/N		Sales Engineer C.C.		Application Engineer R.C.		DRAWN BY M.SUTHERLAND		
DATE 3/4/09	Project Title		COX		P.O. Box 77808 Baton Rouge, LA 70879		APPROVED BY		DATE	
OPTI-OA6		Research and Technology, Inc.		Ph. (225)756-3271 Fax (225)755-1030		PURCHASE ORDER NUMBER		DRAWING NUMBER OPTI-OA6		
						SHEET NUMBER		2		