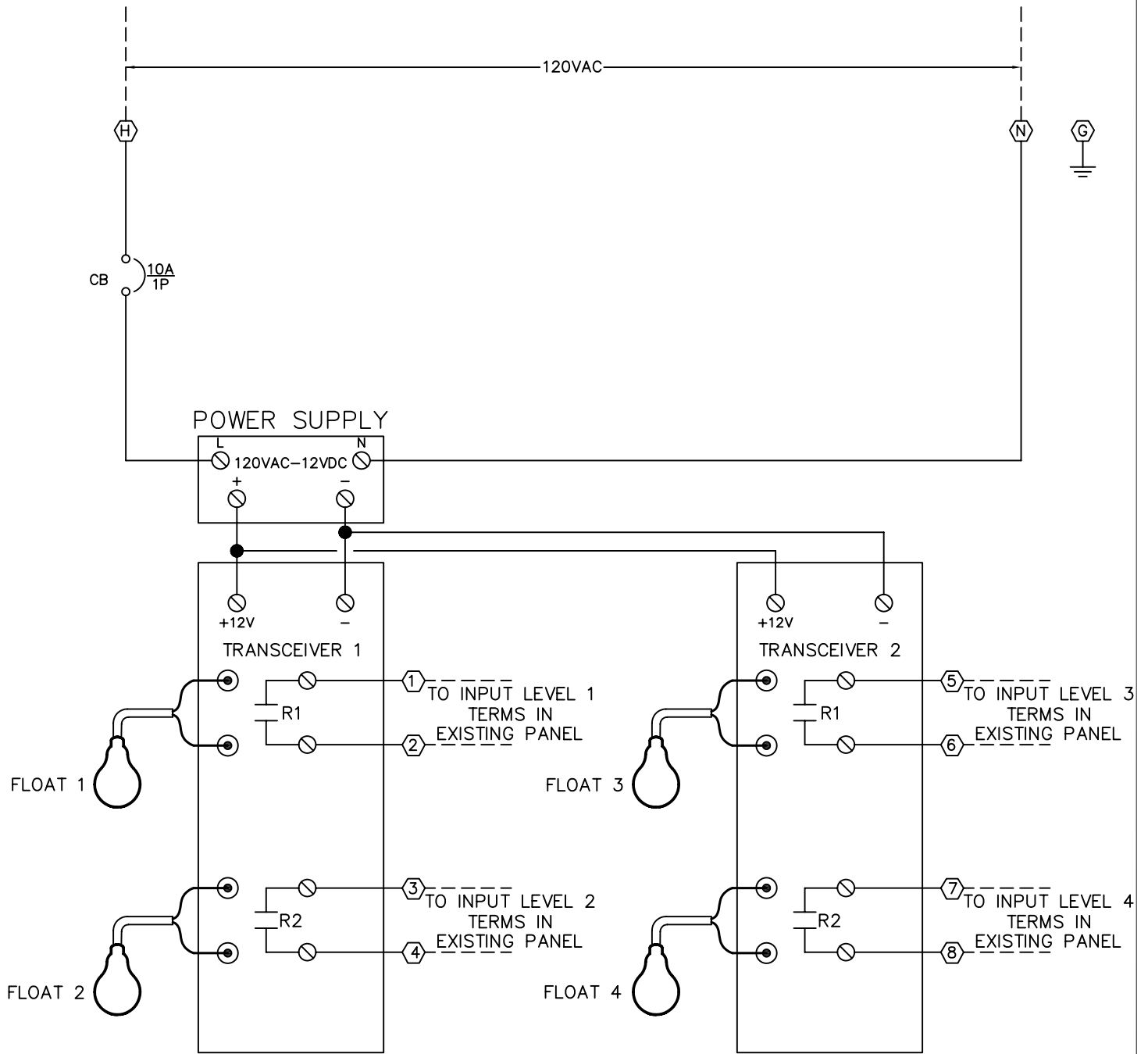

COX

Research and Technology, Inc.

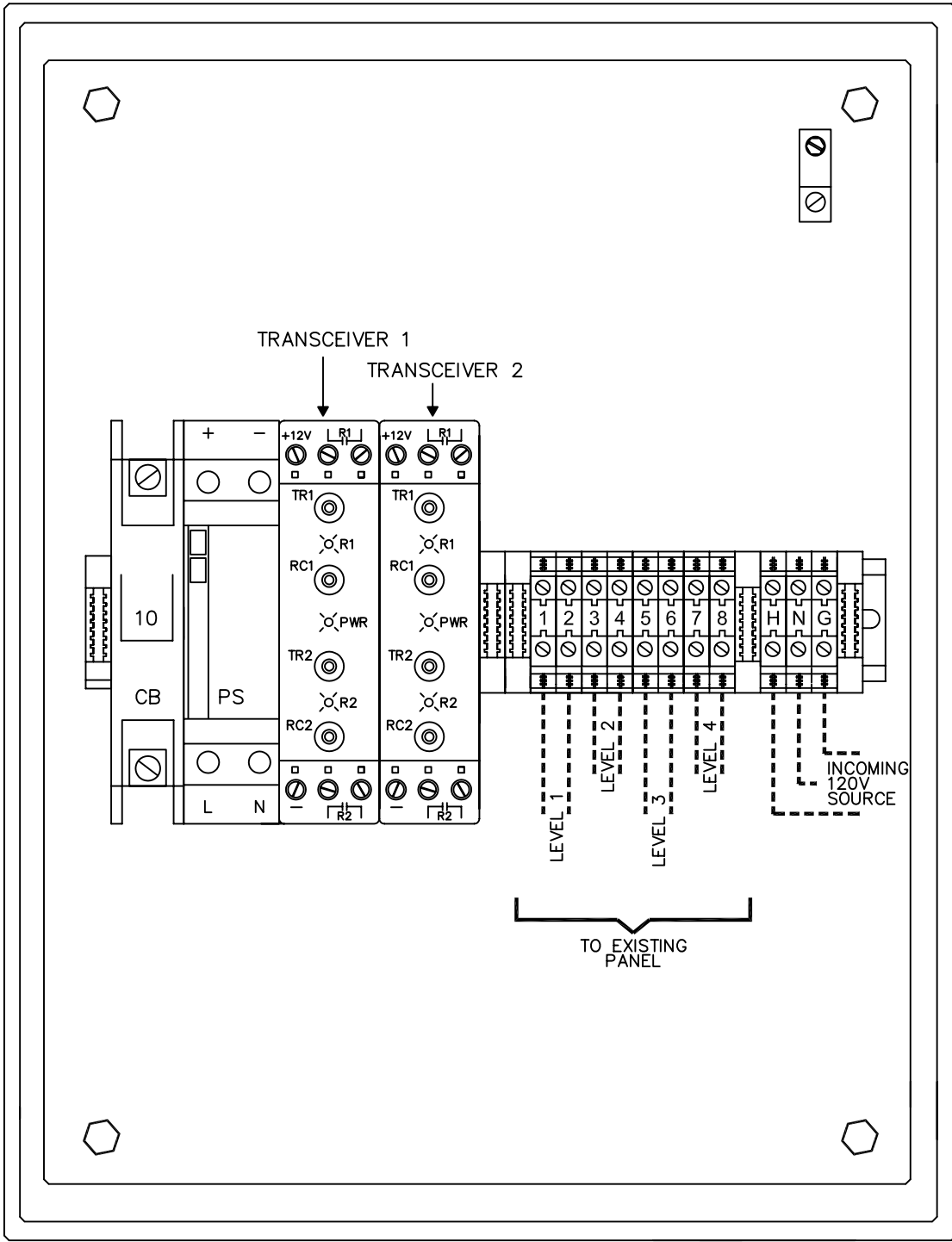
OPTI-RK4
OPTI-FLOAT[®] LEVEL DETECTOR
4 FLOAT RETRO KIT CONTROL PANEL

Cox Research and Technology, Inc.
14697 S. Harrells Ferry Road
Baton Rouge, LA. 70816
(225) 756-3271 Fax (225) 755-1030

OPTI-RK4



Drawing Title									
CONTROL DIAGRAM		REFERENCE DRAWING		NO.		REVISION-LOCATION		ECN	
		S/N		Sales Engineer		Application Engineer		DRAWN	
DATE		C.C.		R.C.		BY S.HODGES		APPROVED	
02/20/09								BY	
Project Title		<p style="text-align: center;">COX</p> <p style="text-align: center;">Research and Technology, Inc.</p>		<p>P.O. Box 77808 Baton Rouge, LA 70879</p> <p>Ph. (225)756-3271 Fax (225)755-1030</p>		PURCHASE ORDER NUMBER			
OPTI-RK4						DRAWING NUMBER			
						OPTI-RK4			
						SHEET NUMBER			
						1			



NON-METALLIC ENCLOSURE 11.6"H X 9.4"W X 5.0"D
 304 STAINLESS STEEL ENCLOSURE 12.8"H X 8.3"W X 7.5"D

Drawing Title									
EXTERNAL WIRING CONNECTIONS		REFERENCE DRAWING		NO.		REVISION-LOCATION		ECN	
		S/N		Sales Engineer		Application Engineer		DRAWN	
DATE		C.C.		R.C.		BY S.HODGES		APPROVED	
02/20/09								DATE	
Project Title		<p style="text-align: center;">COX</p> <p style="text-align: center;">Research and Technology, Inc.</p>		<p>P.O. Box 77808 Baton Rouge, LA 70879</p> <p>Ph. (225)756-3271 Fax (225)755-1030</p>		PURCHASE ORDER NUMBER			
OPTI-RK4						DRAWING NUMBER OPTI-RK4			
						SHEET NUMBER			
								2	

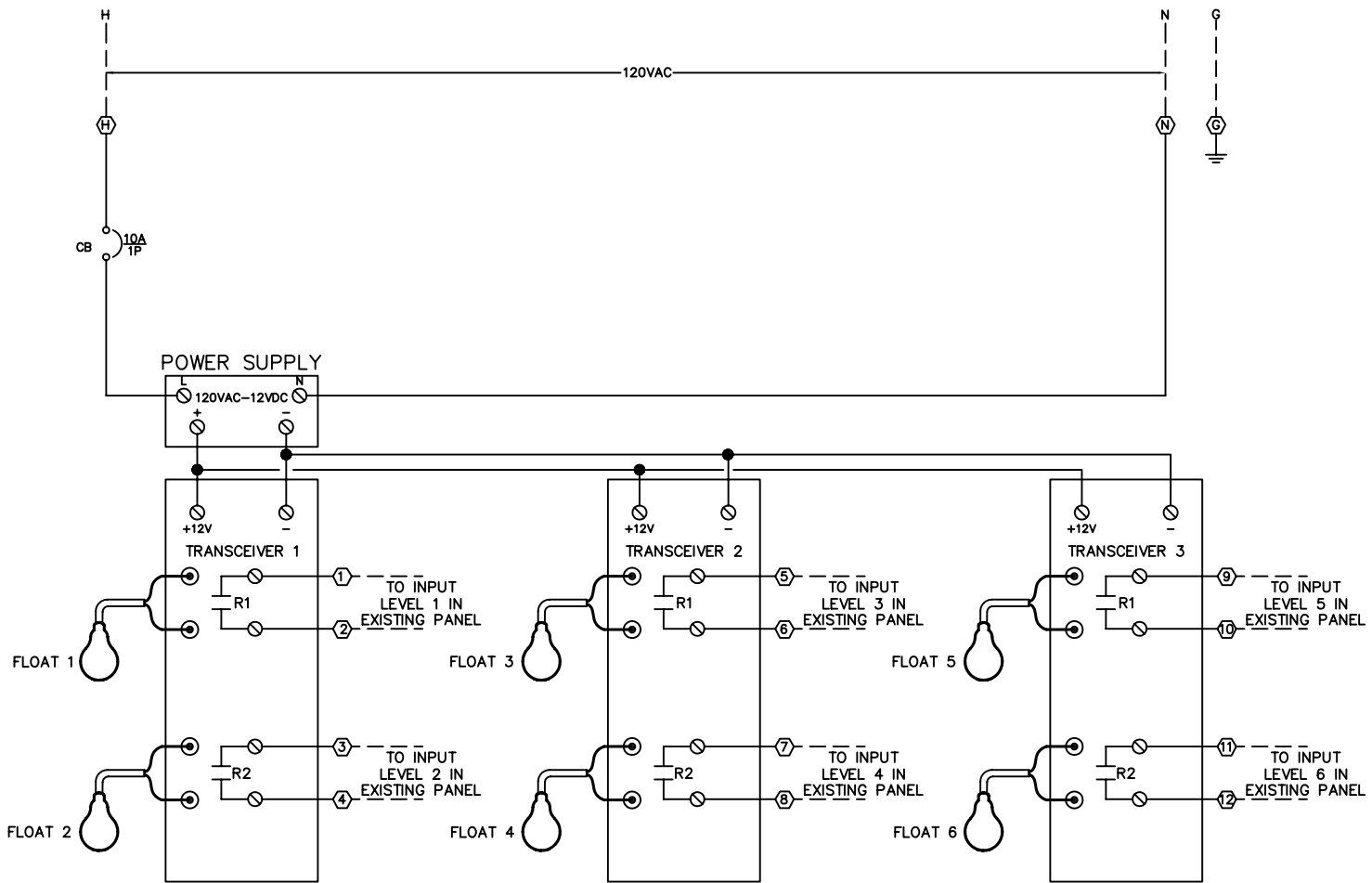
COX

Research and Technology, Inc.

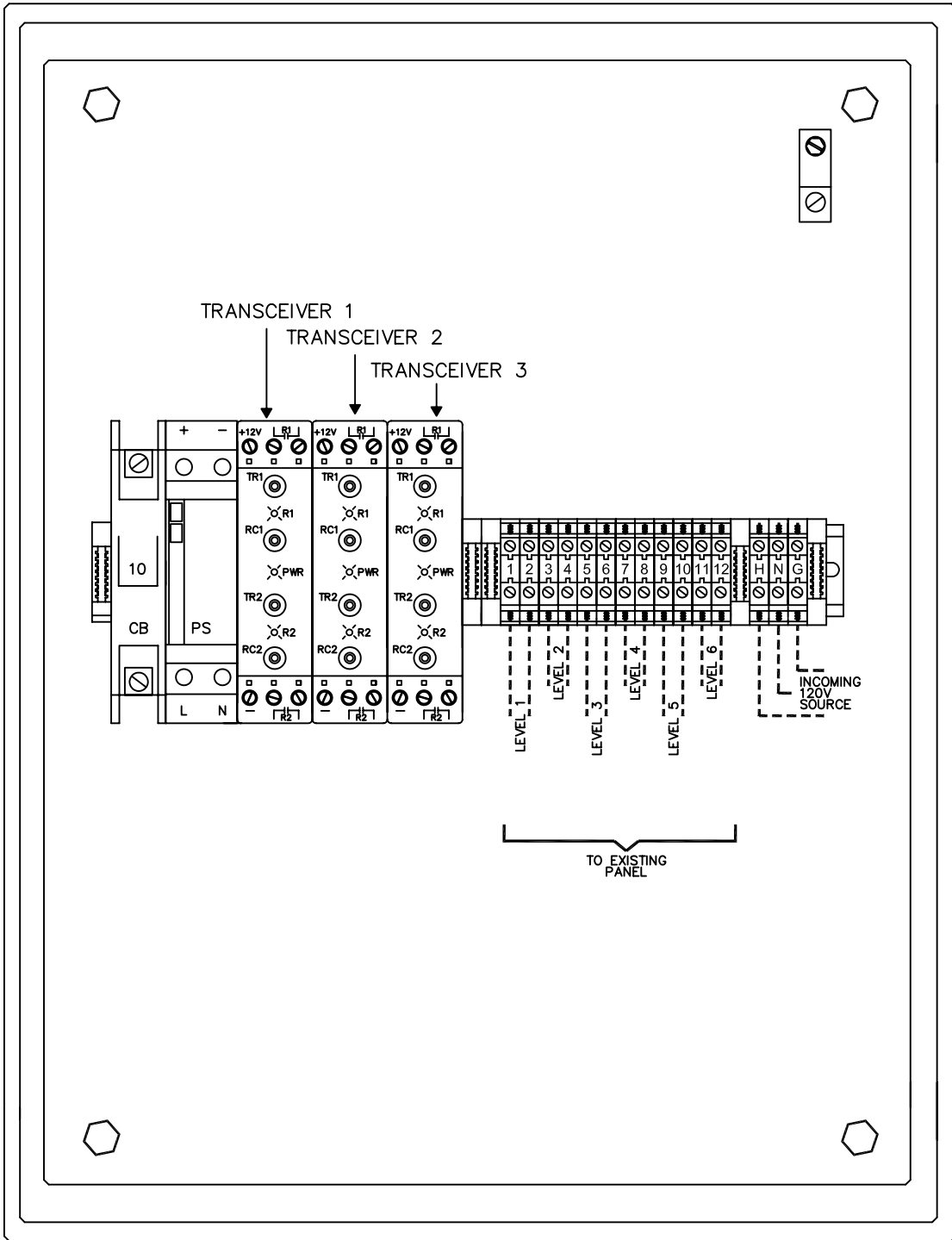
OPTI-RK6
OPTI-FLOAT[®] LEVEL DETECTOR
SIX FLOAT RETRO KIT CONTROL PANEL

Cox Research and Technology, Inc.
14697 S. Harrells Ferry Road
Baton Rouge, LA. 70816
(225) 756-3271 Fax (225) 755-1030

OPTI-RK6



Drawing Title									
CONTROL DIAGRAM		REFERENCE DRAWING		NO.		REVISION-LOCATION		ECN	
		S/N		Sales Engineer		Application Engineer		DRAWN	
DATE		C.C.		R.C.		BY M.SUTHERLAND		APPROVED	
2/27/09								DATE	
Project Title		<p style="text-align: center;">COX</p> <p style="text-align: center;">Research and Technology, Inc.</p>		<p>P.O. Box 77808 Baton Rouge, LA 70879</p> <p>Ph. (225)756-3271 Fax (225)755-1030</p>		PURCHASE ORDER NUMBER			
OPTI-RK6						DRAWING NUMBER			
						OPTI-RK6			
						SHEET NUMBER			
						1			



NON-METALLIC ENCLOSURE 11.6"H X 9.4"W X 5.0"D
 304 STAINLESS STEEL ENCLOSURE 12.8"H X 8.3"W X 7.5"D

Drawing Title									
EXTERNAL WIRING CONNECTIONS		REFERENCE DRAWING		NO.		REVISION-LOCATION		ECN	
		S/N		Sales Engineer		Application Engineer		DRAWN	
DATE		C.C.		R.C.		BY M.SUTHERLAND		APPROVED	
2/27/09								DATE	
Project Title		<div style="text-align: center;"> COX Research and Technology, Inc. </div>		P.O. Box 77808 Baton Rouge, LA 70879 Ph. (225)756-3271 Fax (225)755-1030		PURCHASE ORDER NUMBER			
OPTI-RK6						DRAWING NUMBER			
						OPTI-RK6			
						SHEET NUMBER			
						2			